

BASIC ELECTRIC BOLT

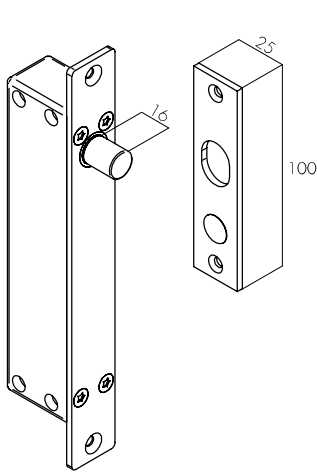
Series OC

This **compact easy-to-install lock** (only 24 mm thick) secures the door through a 16 mm steel bolt which is activated by a solenoid.

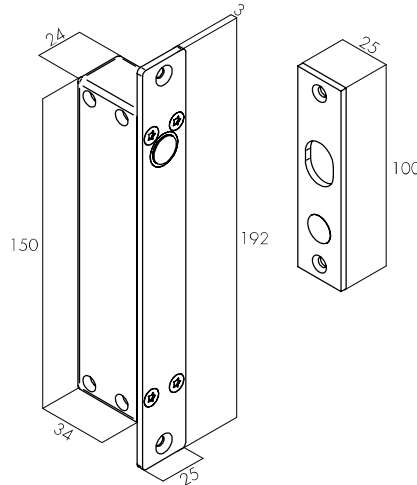
It operates on 12V DC and uses 300mA during start-up and 120mA in stand-by. The gap between the lock body and the plate should be less than 8 mm.

A LED indicator will show the status of lock (opened/closed). The auto-lock function can be set after 0 to 9 seconds through the inbuilt timer.

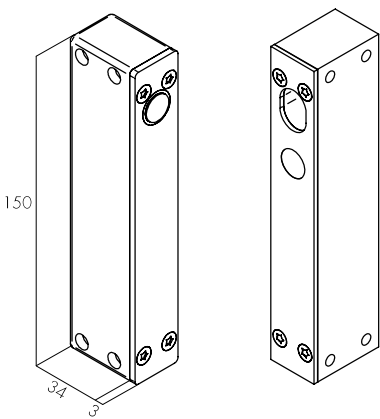
| | fail-secure | fail-safe | Mortise | Rim | Glass | Timer | Round bolt | References |
|----------------------------|-------------|-----------|---------|-----|-------|-------|------------|------------|
| BASIC ELECTRIC BOLT | • | | • | | | • | • | OC 860 |
| | | • | • | | | • | • | OC 870 |
| | | • | | • | | • | • | OC 880 |
| | | • | | | • | • | • | OC 890 |



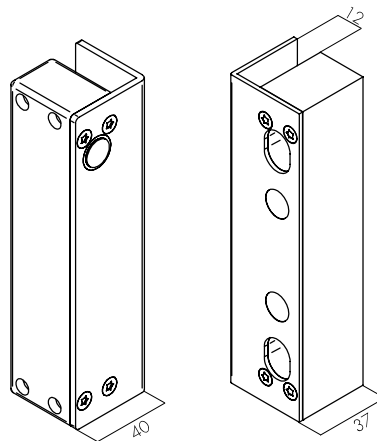
**OC 860
Mortise**



**OC 870
Mortise**



**OC 880
Rim**



**OC 890
For glass doors**

Maximum glass thickness: 12 mm

