



# TS 99

## EN 2-5

Free-swing  
slide channel  
door closer  
in Contur design

## For easy use of fire and smoke check doors combined with safe closing in an emergency.

The DORMA TS 99 FL in the Contur design is a hold-open device with a free-swing function from a door opening angle of  $>0^\circ$ , which, combined with a smoke detector system (e.g. DORMA RMZ), can be used as a hold-open system for fire doors. An integrated solution, i.e. hold-open device with free-swing function from a door opening angle of  $>0^\circ$ , plus

built-in smoke detector system, is also available in the form of the DORMA TS 99 FLR or TS 99 FLR-K. In both systems, the door can be operated without resistance thanks to their free-swing feature. In the event of an alarm or power failure, however, the door is reliably closed by the re-instated action of the door closer. Certified to ISO 90001.

### Plus points

#### For the trade

- Ideal complement to the product range
- Clear range structure for easy stock management

#### For the installer/fabricator

- Easy and quick to fit
- Flexible application suitability thanks to standard leaf or overhead transom installation

#### For the architect/specifier

- Meets legal requirements for barrier-free building
- Universally suitable for single or double doors

### F Approval certification

#### TS 99 FL

The DORMA TS 99 FL is approved and certified by the MPA NRW, Dortmund, to EN 1155.

#### TS 99 FLR

The DORMA TS 99 FLR is approved and certified by the MPA NRW, Dortmund, to EN 1155. Approved by the German Institute for Building Technology, Berlin,

#### TS 99 FLR-K

The DORMA TS 99 FLR-K is certified and approved by the MPA NRW, Dortmund, to EN 1155. Approved by

When using the TS 99 FL in a transom-mounted arrangement, a certificate of compliance in conjunction with the relevant fire and smoke check door is mandatory.

for use as a hold-open system. An acceptance inspection is mandatory. Certificate of compliance in conjunction with the fire and smoke check door concerned is additionally required.

the German Institute for Building Technology, Berlin, for use as a hold-open system. An acceptance inspection is mandatory.

Data and features		TS 99 FL	TS 99 FLR	TS 99 FLR-K
Adjustable spring strength setting	Size	EN 2-5	EN 2-5	EN 2-5
Standard doors	$\leq 1250$ mm	●	●	●
Fire and smoke check doors	$\leq 1250$ mm	●	●	●
Non-handed		●	●	●
Slide channel		●	●	●
Closing speed adjustable at valve		●	●	●
Latching action adjustable at valve		●	●	●
Cushioned limit stay, mechanical		○	○	○
Free-swing function from a door opening angle of $> 0^\circ$		●	●	●
Weight in kg		5,2	5,9	5,7
Dimensions in mm (without slide channel)	Length Overall depth Height	413 52 71	785 52 71	413 52 71
Door closer compliant with EN 1154		●	●	●
Hold-open device compliant with EN 1155		●	●	●
Hold-open device compliant with DIN EN 14637			under preparation	
CE mark for building products		●	●	●
Functions	Smoke detector Release device Power supply unit	– ● –	● ● ●	● ● ●
Smoke detection	Scattered light principle Optical sensor	– –	● –	● –
Connection of other detectors		–	●	●
Total installed load (max.) for further detectors in W		–	7,8	7,8
LED indicators	Alarm Standby Maintenance due Contaminated	– – – –	● ● ● ●	● ● ● ●
Input voltage		24 V DC $\pm 15\%$	230 V AC $+10\%/-15\%$	230 V AC $+10\%/-15\%$
Output voltage		–	24 V DC	24 V DC
Power consumption in W		2	14,8	14,8
Floating change-over contact, safety extra low voltage (SELV)		–	24 V AC/DC 2A	24 V AC/DC 2A
Reset	Manual reset	–	●	●
Connection terminals for external manual release		–	●	●
Degree of protection		–	IP 20	IP 20

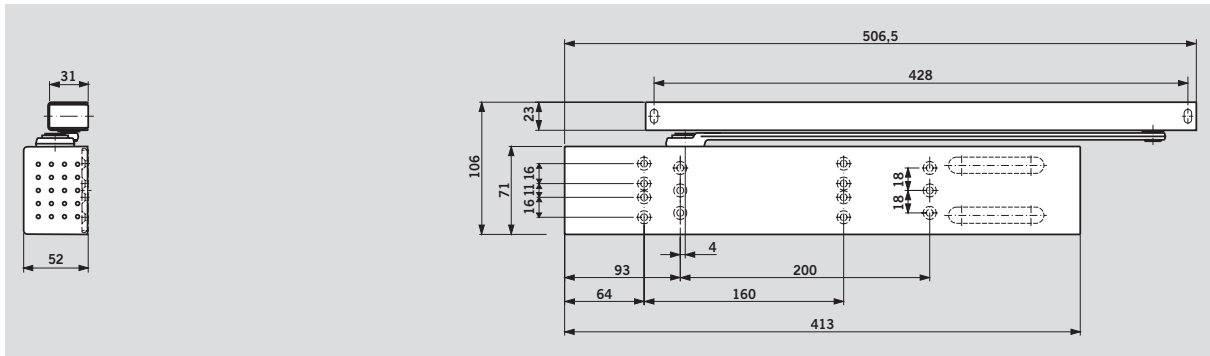
● Yes – No ○ Option

### Note

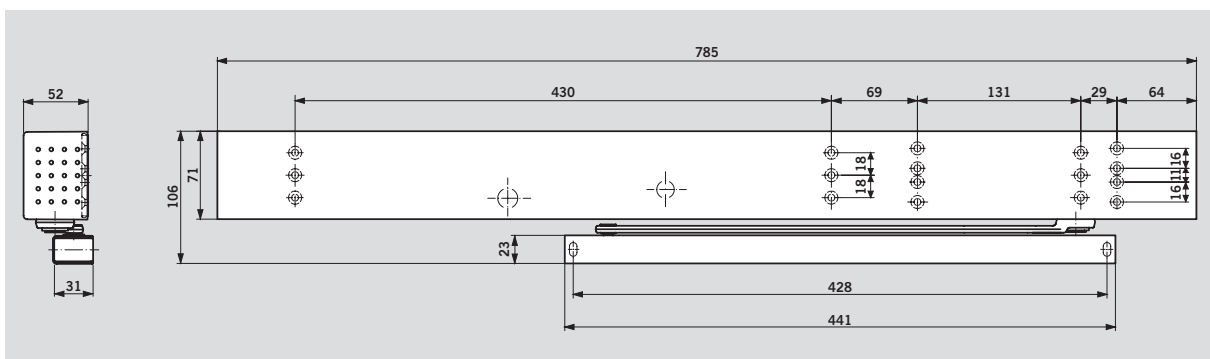
According to the regulations governing hold-open systems issued by the Institute of Building Technology (DIBt), Berlin, a manual release switch (e.g. DORMA HT) must be provided for free-swing door closers.

This switch must be red and carry the inscription "Close Door". The switch must be located in the immediate vicinity of the door and must not be hidden by the opened door.

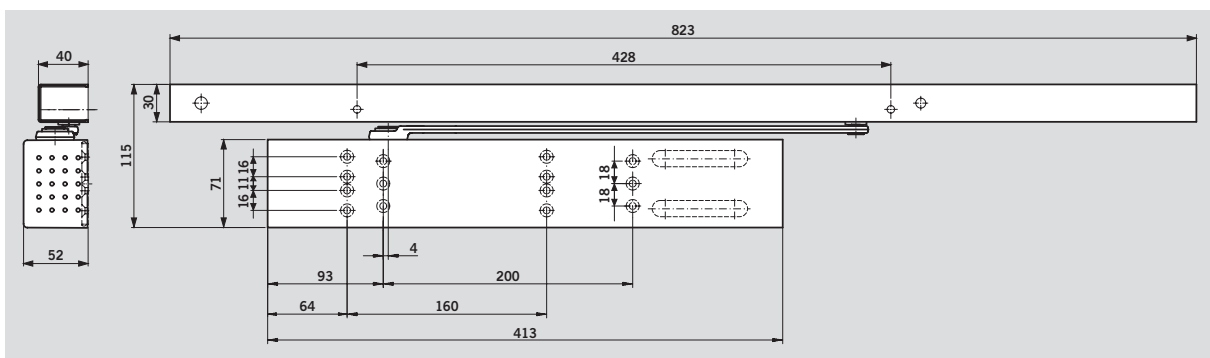
## DORMA TS 99 FL



## DORMA TS 99 FLR



## DORMA TS 99 FLR-K

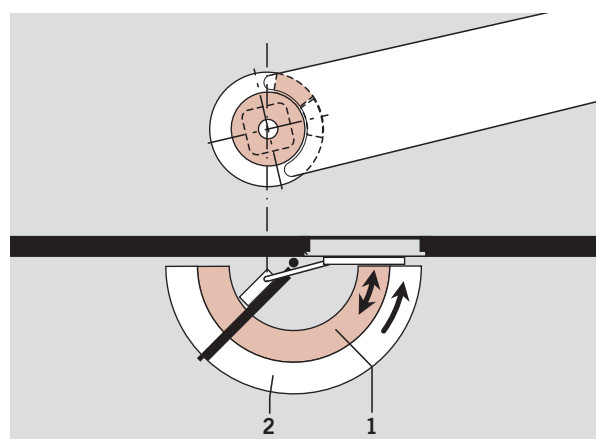


## Free-swing function from an opening angle $>0^\circ$

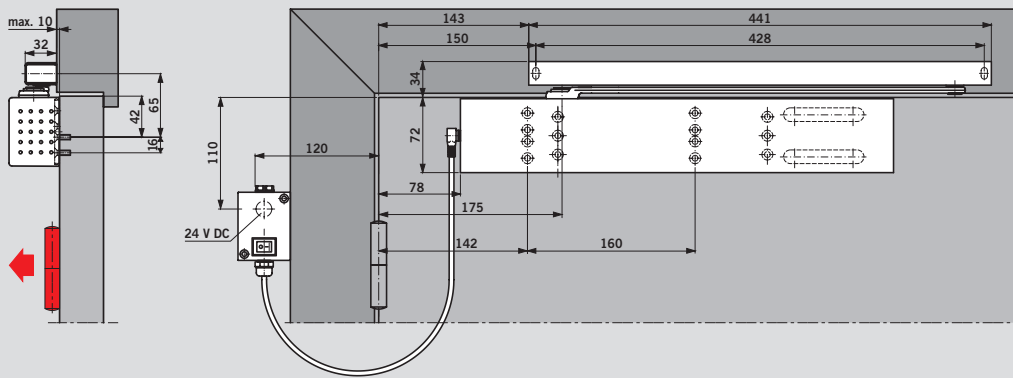
As the door is opened, the free-swing function is activated from an opening angle of  $>0^\circ$ . The free-swing function enables the door to be opened with ease by reducing the amount of resistance encountered by the user. The door remains freely operable and is not automatically closed, facilitating access in both directions in heavily frequented zones and passageways.

In the event of a fire or power failure, the door is automatically and safely closed by the door closer. This system is ideal for ensuring the closure of fire and smoke check doors in senior homes, centres for the disabled, hospitals and clinics.

- 1 Free-swing range
- 2 Fully controlled closing action (mechanical)

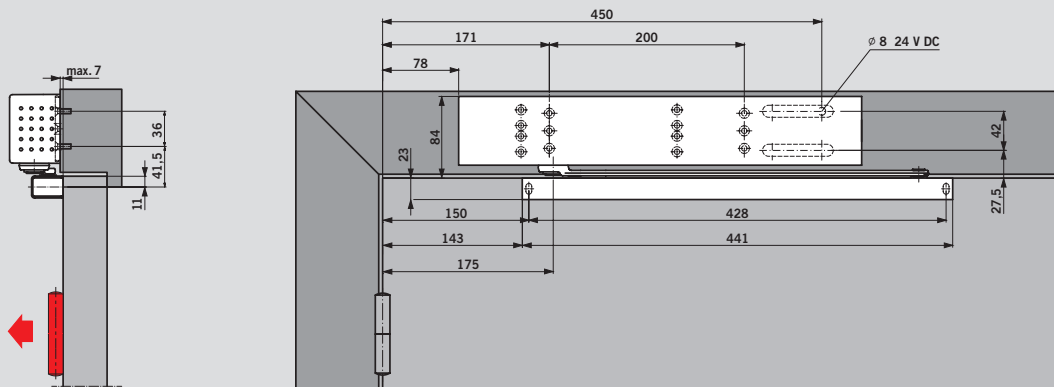


Applications and fixing



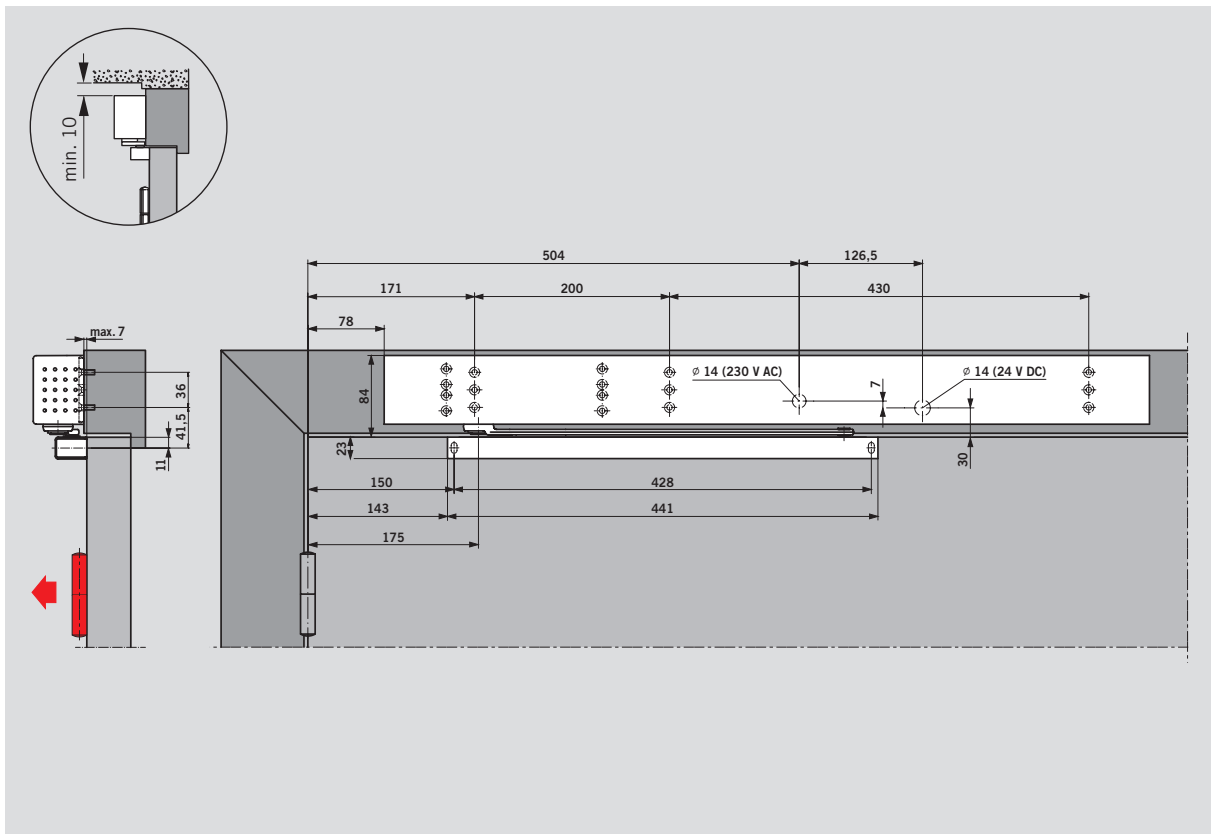
**DORMA TS 99 FL door closer, standard application** (door leaf fixing)

Examples: Anticlockwise-closing (ISO 6/LH) door; mirrored arrangements apply to clockwise-closing (ISO 5/RH) doors



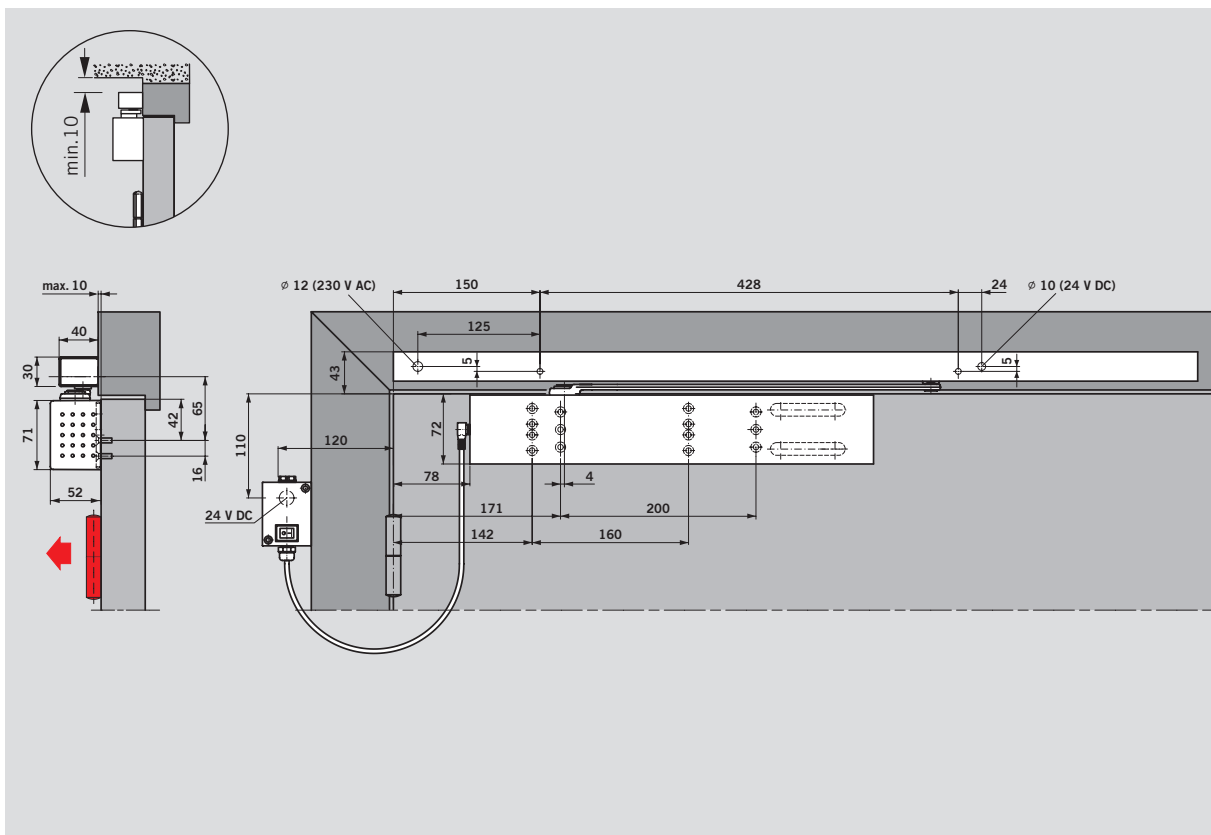
**DORMA TS 99 FL door closer, frame mounted** (transom fixing)

Examples: Anticlockwise-closing (ISO 6/LH) door; mirrored arrangements apply to clockwise-closing (ISO 5/RH) doors



**DORMA TS 99 FLR door closer**

Examples: Anticlockwise-closing (ISO 6/LH) door; mirrored arrangements apply to clockwise-closing (ISO 5/RH) doors



**DORMA TS 99 FLR-K door closer**

Examples: Anticlockwise-closing (ISO 6/LH) door; mirrored arrangements apply to clockwise-closing (ISO 5/RH) doors

The modular TS 93 GSR system also enables the use of the TS 99 FL EN 2-5 on the active leaf of double doors. As the door is opened, the free-swing function is activated from an opening angle of  $>0^\circ$  at the active leaf. The door remains freely

operable and is not automatically closed, which facilitates access in doors located in heavily frequented areas. The GSR system ensures the closure of double doors in the correct sequence: first the inactive leaf then the active leaf.

The system operates independently of the door closer hydraulics using a push rod clamping arrangement with protective overload release. The door release/closer activator mechanism is integrated in the slide channel.

#### DORMA TS 99 FL GSR

##### Door co-ordinator with free-swinging active leaf

The GSR system ensures the closure of double doors in the correct sequence: first the inactive leaf then the active leaf.

#### DORMA TS 99 FL GSR-EMF 1

##### Door co-ordinator with free-swinging active leaf and electro-mechanical hold-open of the inactive leaf

The GSR-EMF 1 system ensures the closure of double doors in the correct sequence: first the inactive leaf then the active leaf. It also facilitates the combined hold-open of both door leaves. The inactive leaf can be held at an angle between  $80^\circ$  and  $130^\circ$ , and the active leaf is held open at any angle up to max.  $150^\circ$  by the door co-ordinator.

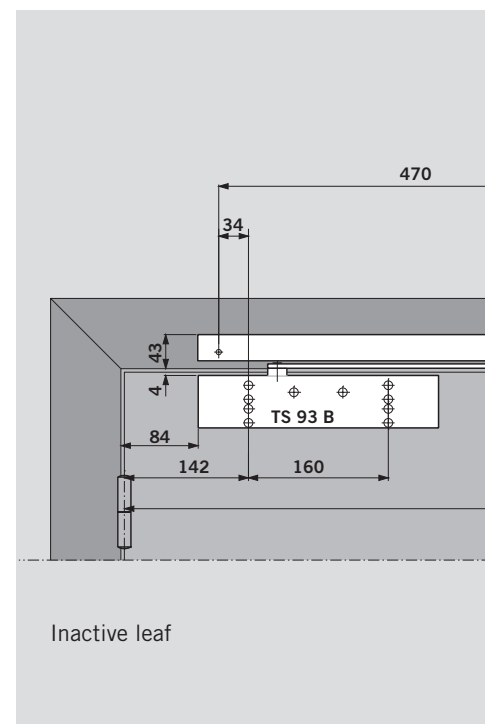
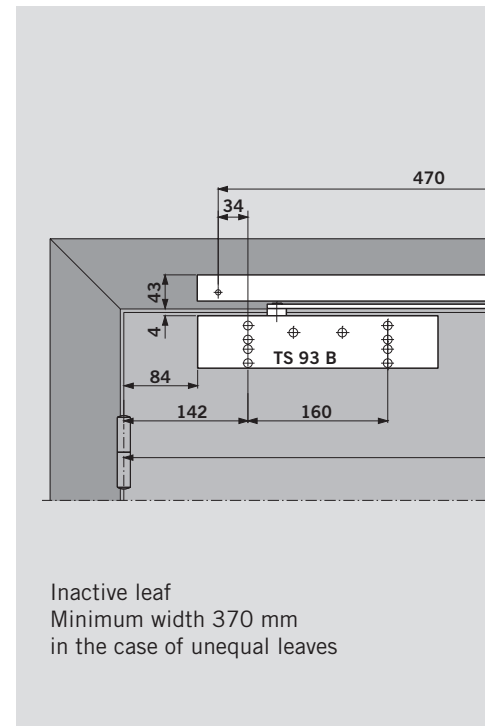
In the event of an alarm or power failure, the hold-open is released and the door co-ordinator ensures that the door leaves close in the correct sequence. The release signal is emitted by external smoke detectors (e.g. DORMA RMZ in the Contur design). DORMA RM-N units can also be connected as a second and third detector. With adjustable pull-off force (no tools required), the hold-open can also be readily released by hand. Note: The hold-open point of the inactive leaf is always located at the maximum door opening angle – install a door stop at this position.

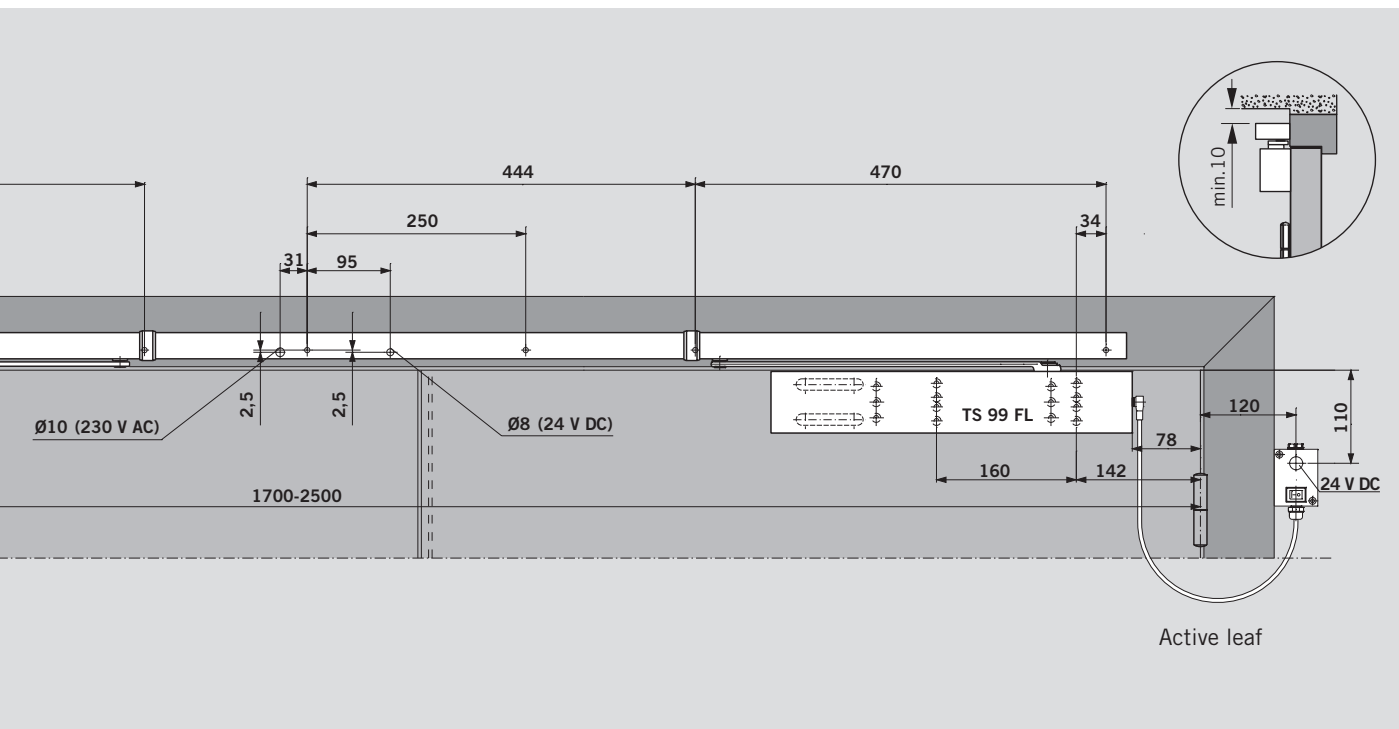
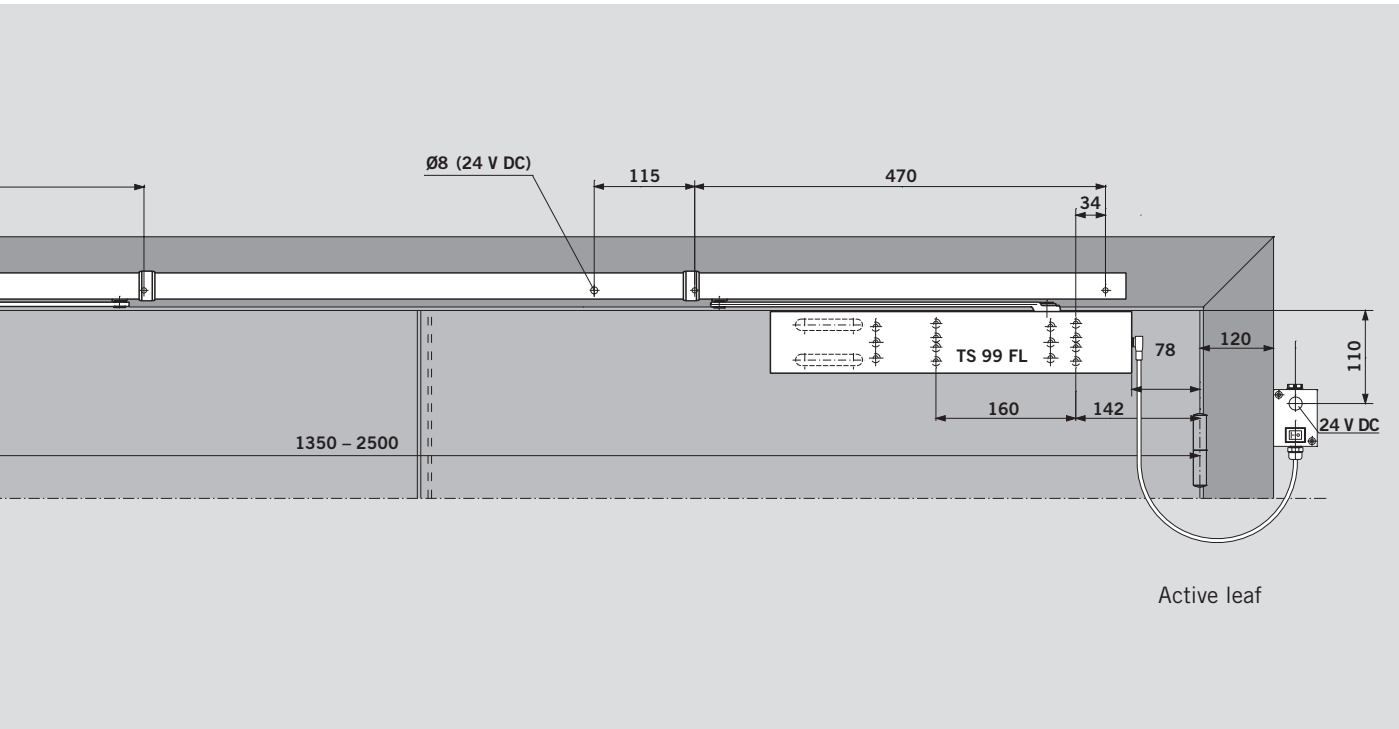
#### DORMA TS 99 FL GSR-EMR 1

##### Door coordinator with free-swinging active leaf, electro-mechanical hold-open of the inactive leaf and integral smoke detector

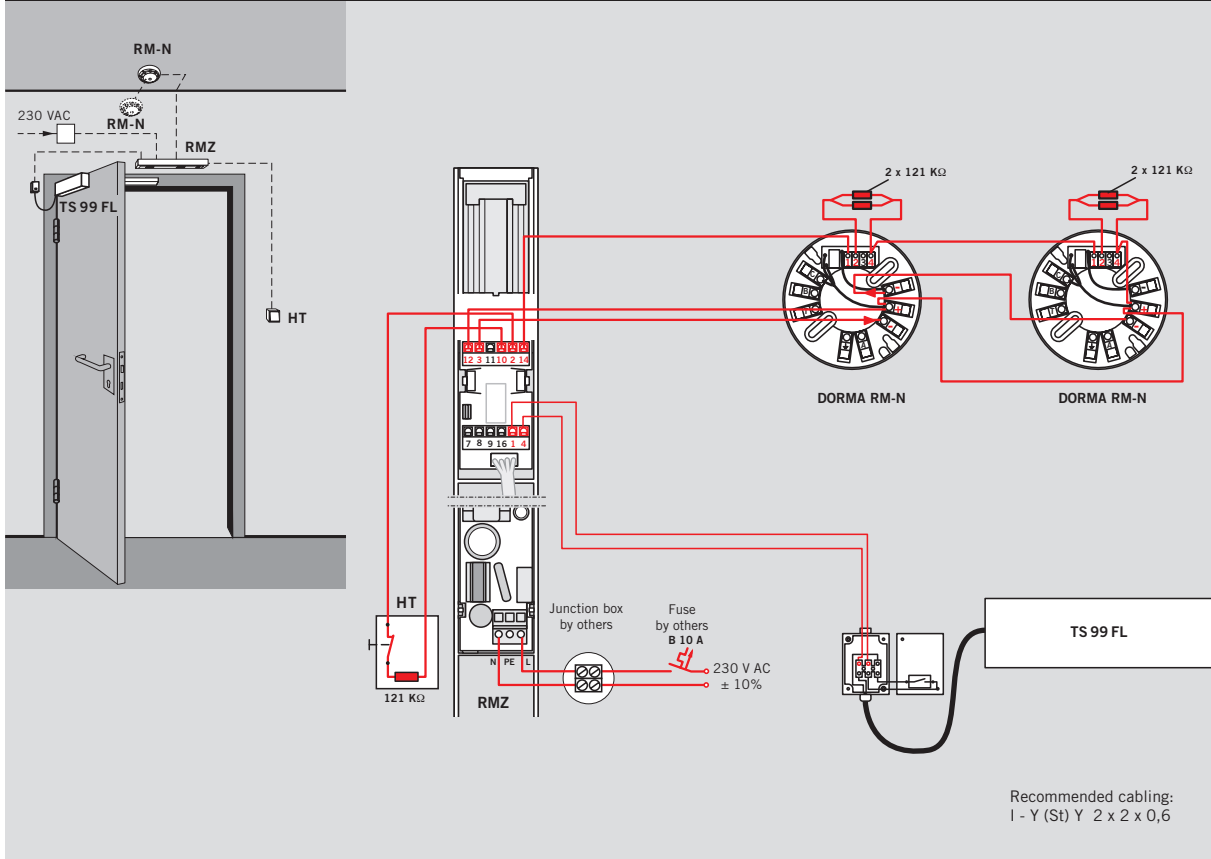
The GSR-EMR 1 system ensures the closure of double doors in the correct sequence: first the inactive leaf then the active leaf. It also facilitates the combined hold-open of both door leaves. The inactive leaf can be held at an angle between  $80^\circ$  and  $130^\circ$ , and the active leaf is held open at any angle up to max.  $150^\circ$  by the door co-ordinator.

In the event of an alarm or power failure, the hold-open is released and the door co-ordinator ensures that the door leaves close in the correct sequence. Hold-open release is initiated by the GSR-EMR via a smoke detector integrated in the door coordinator. DORMA RM-N units can also be connected as a second and third detector. With adjustable pull-off force (no tools required), the hold-open can also be readily released by hand. Note: The hold-open point of the inactive leaf is always located at the maximum door opening angle – install a door stop at this position.

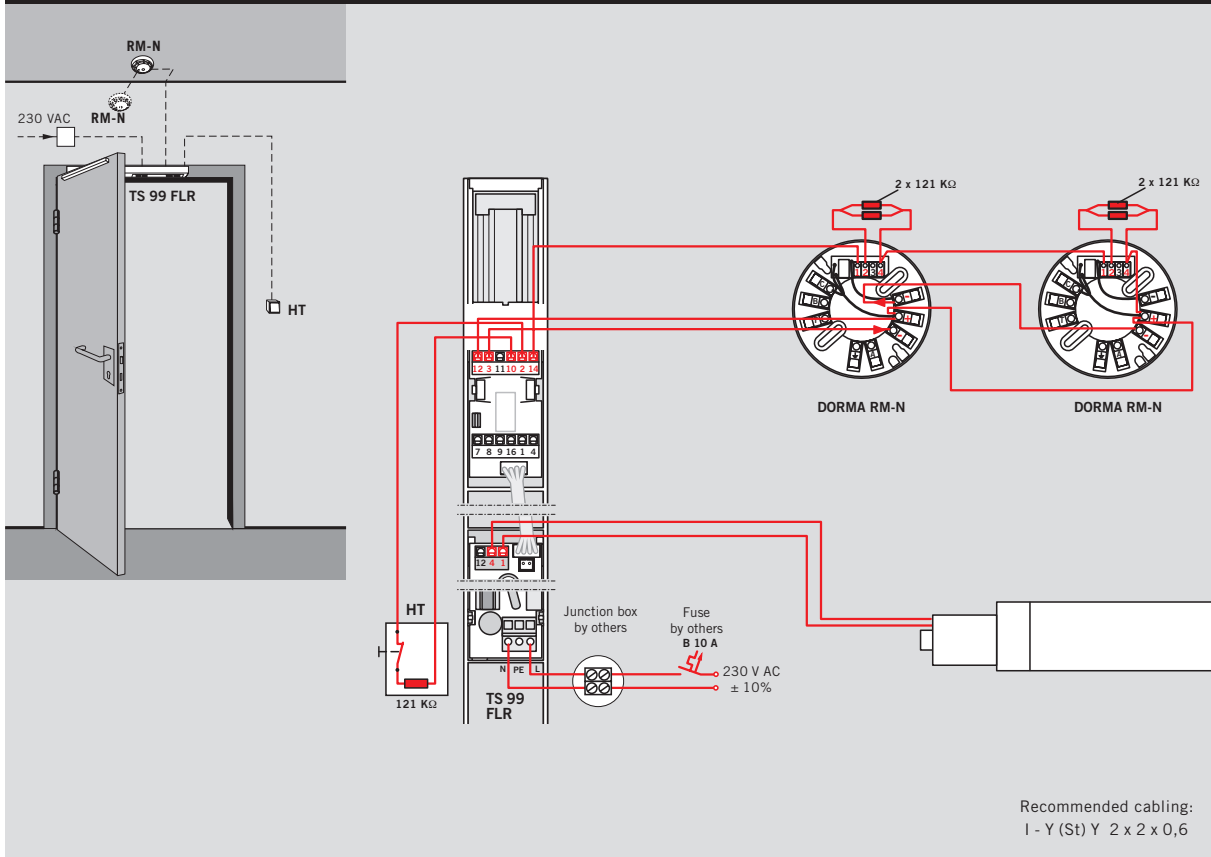




**DORMA TS 99 FL + RMZ + 2x RM-N**

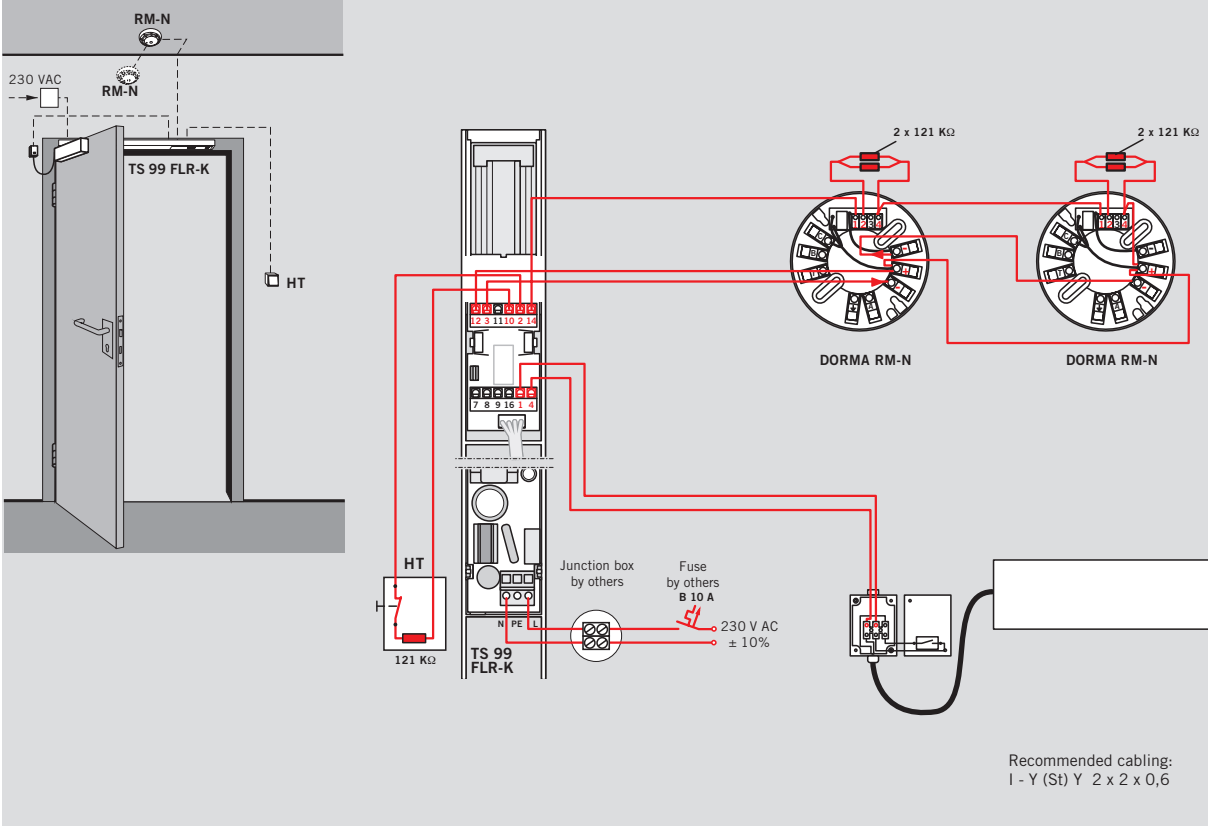


**DORMA TS 99 FLR + 2x RM-N**

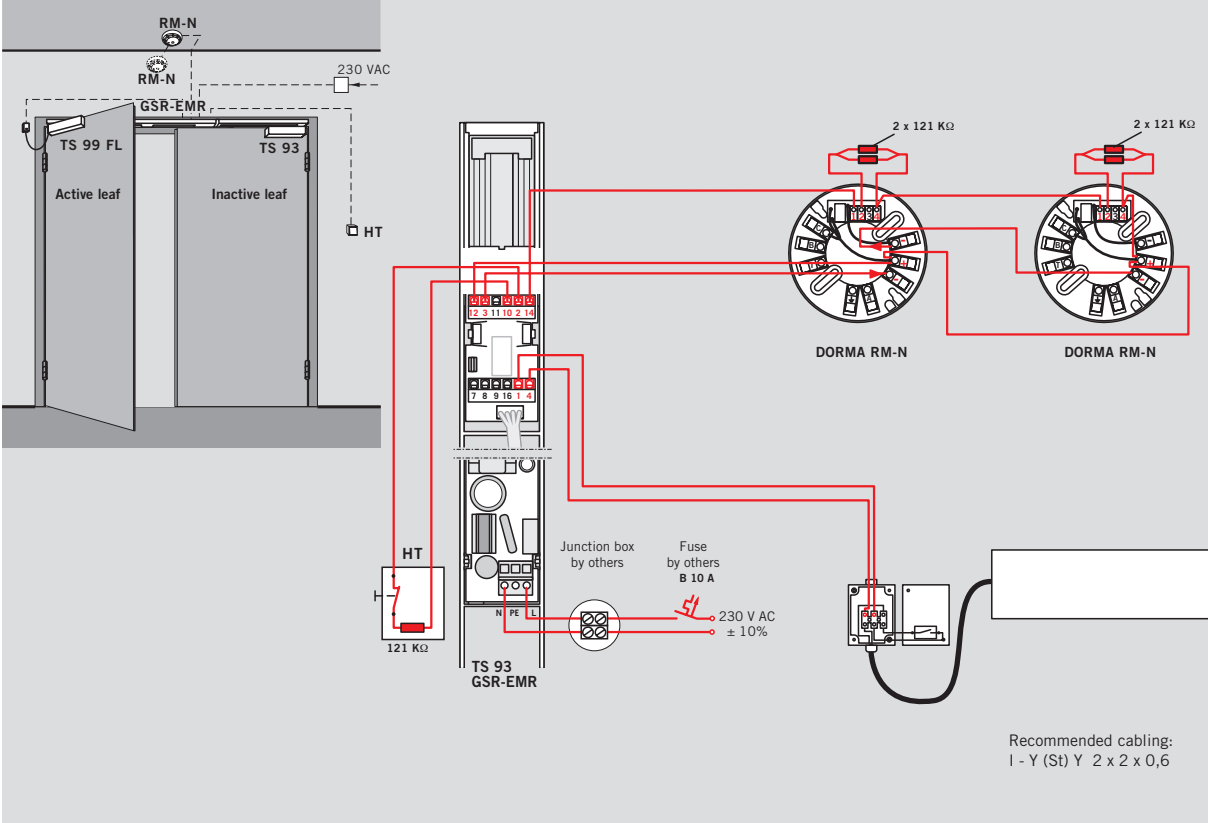




### DORMA TS 99 FLR-K + 2x RM-N



### DORMA TS 99 FL GSR-EMR 1 + 2x RM-N



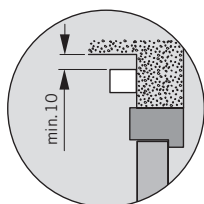
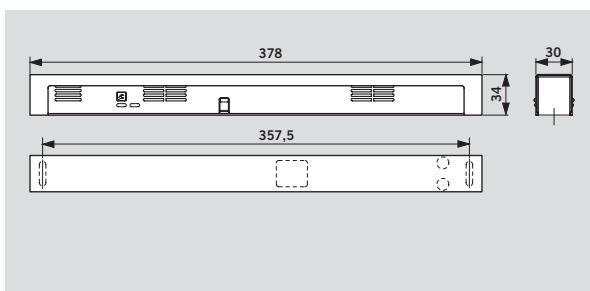
The DORMA RMZ in the Contur design and DORMA RM-N smoke detectors provide the ideal complement to the DORMA TS 99 FL system for passive/preventive fire protection. They are designed in accordance with the latest codes

issued by the German Institute for Building Technology and ensure perfect interaction between all the devices employed for holding open fire and smoke check doors – whatever the situation.

### DORMA RMZ

The DORMA RMZ smoke detector in the Contur design provides a 24V DC supply for all the hold-open devices connected to it. In the event of an alarm or power failure, it de-energises the devices (release function). It has an automatic reset which can be switched to manual mode if required. A floating (no-volt) change-over contact and connections

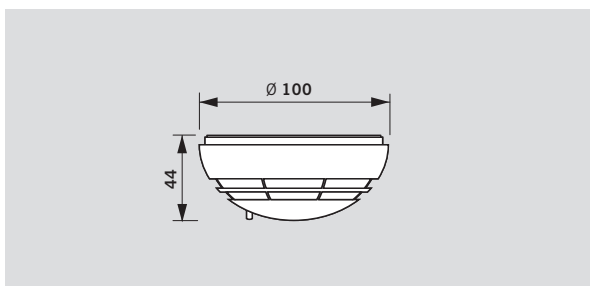
for both further detectors and for an external manual release device are also provided. The unit is available in the RMZ version with a stabilised power pack, or in the RMZ DCW version without a power pack for integration in building management and control systems via a DCW bus and the DORMA TMS door management system.



### DORMA RM-N

The DORMA RM-N smoke detector ensures the early detection both of smouldering fires and open fires

with smoke evolution. It can be connected to all DORMA hold-open systems.



Data and features		RMZ	RM-N
Functions	Smoke detector Release device Power supply unit	● ● ●	● – –
Smoke detection	Scattered light principle (optical sensor)	●	●
Fixing	Lintel or transom-mounted Ceiling-mounted	● –	– ●
Connection of other detectors		●	–
Total installed load (max.) for hold-open device and other detectors in W		9,8	–
Power consumption of internal detectors in W		1,2	0,65
LED indicators	Alarm Standby Maintenance due Contaminated	● ● ● ●	● – – –
Input voltage		230 V AC ± 10 %	24 V DC +15%, -10%
Output voltage		24 V DC	–
Detector operating voltage		24 V DC +15%, -10%	24 V DC
Input current (max.) in mA		75	20
Floating (no-volt) change-over contact Safety extra low voltage (SELV)		24 V AC/DC 2 A	30 V AC/DC 1 A
Reset	Automatic Can be changed to manual reset	● ●	● –
Functional check	Smoke detection	●	●
Connection terminals for external manual release		●	–
Degree of protection		IP 30	IP 43
Ambient temperature in °C		–20, +40	–10, +60
Weight in kg		0,25	0,15
Dimensions in mm	Length Overall depth Height	379 34 30	∅ 100 44
Compliant with EN 54 Part 7		●	●
CE mark for building products		●	●

● Yes – No

### F Approval certification

DORMA RMZ in the Contur design and DORMA RM-N smoke detectors have been granted general building approval by the German Institute for Building Technology, Berlin; acceptance inspection mandatory in Germany.

The use of hold-open systems is subject to special regulations based on official approval requirements. These relate in particular to the final inspection (acceptance), continuous monitoring and maintenance.

The regulations and instructions provided below are intended as an aid, pursuant to statutory regulations that apply e.g. in Germany, to ensure that all participants are properly informed of the most important requirements that relate to the installation and operation of hold-open systems.

Further information can be found in the following documents:

- Richtlinien für Feststellanlagen des Deutschen Instituts für Bautechnik, Berlin  
[Code of practice relating to hold-open systems issued by the German Institute for Building Technology, Berlin]

- General building regulations pertaining to the approval of the hold-open system concerned
- EN 1155
- DIN EN 14637

### 1. General

**1.1** In the case of fire doors (and similar shutters/closures/barriers) that are held open by hold-open systems, the sweep area necessary for the closing operation must be kept constantly clear. This area must be clearly identified by lettering, floor markings or similar. Where necessary, structural measures must also be implemented to ensure that cables, leads, lines,

pipes, stored/deposited goods or components (e.g. false ceilings or other overhead items/elements) are reliably prevented from falling into the sweep area.

**1.2** Wherever possible, smoke detectors should be used for hold-open systems. For hold-open systems for fire doors in emergency escape routes, smoke detectors must be used.

**1.3** Each hold-open device must also be capable of being released by hand, without adversely affecting the functional capabilities of the automatic release device. In the case of door closers with electro-magnetic hold-open, the manual release may be performed by a small tug applied to the door leaf. If holding electro-magnets or free-swing door closers are

used, a pushbutton must be provided to facilitate manual release.

The manual release push-buttons employed for this purpose must be red and carry the wording "Close Door" or equivalent. The pushbutton must be located in the immediate vicinity of the door and must not be concealed by the door when this is held open.

### 2. Final inspection (acceptance)

**2.1** In Germany and countries governed by DIN regulations: Following on-site installation of the operable hold-open system, its functional integrity and quality of installation must be confirmed by an acceptance inspection procedure. The acceptance inspection may only be performed by skilled personnel of manufac-

turers of monitoring and/or hold-open devices, skilled personnel authorized by same, or skilled personnel from an accredited inspection agency.

**2.2** In Germany and countries governed by DIN regulations: Once the acceptance inspection has been successfully completed, the operator shall permanently fix on the wall

in the immediate vicinity of the door, a plate supplied by the manufacturer of the hold-open system measuring 105 mm x 52 mm and carrying the inscription  
Hold-open system  
Inspected by... (company logo with month and year of acceptance inspection) or equivalent

**2.3** The operator is to be provided with a certificate detailing the successful acceptance inspection; this certificate must be retained by the operator.

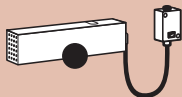









### 3. Periodic surveillance


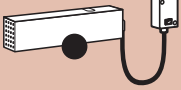
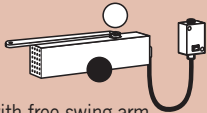
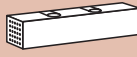




**3.1** The hold-open system must be kept by the operator in a constantly good operating condition, and inspected at least once a month to ensure that it is functioning properly.

**3.2** In addition, the operator is obliged at least once a year, or at shorter intervals if specified in the approval certificate, to inspect all the devices to ensure that they are operating and interacting properly and without fault,

and to carry out or instigate adequate maintenance. The associated test, inspection and the maintenance work may only be performed by an expert or an appropriately trained person.

**3.3** The scope, result and time of the periodic inspection are to be recorded. These records must be retained by the operator.

<p>● Hold-open device ● RMZ smoke detector ○ Free-swing action</p>	<p>TS 99 FL door closer body, Leaf-fixed Size EN 2-5</p> 	<p>TS 99 FL door closer body, Transom-fixed Size EN 2-5</p> 
<p>Slide channel with free-swing arm assembly</p> 	<p>■ 533202xx</p>	<p>■ 533302xx</p>
<p>Slide channel with free-swing arm assembly</p> 		
<p>G-SR</p>  <p>□ 64102001</p>		
<p>G-SR-EMF 1</p>  <p>□ 64112001</p>		
<p>G-SR-EMR 1</p>  <p>□ 64215001</p>		
<p>RMZ smoke detector</p>  <p>648000xx</p>	<p>#</p>	<p>#</p>
<p>RM-N smoke detector</p>  <p>64830000</p>	<p>#</p>	<p>#</p>
<p>Manual release pushbutton</p>  <p>HT-UP 35901531 HT-AP 35901532</p>	<p>#</p>	<p>#</p>

<b>TS 99 FLR</b> door closer body Size EN 2-5 	<b>TS 99 FLR-K</b> door closer body Size EN 2-5 	<b>TS 99 FL door closer body, Leaf-fixed</b> Size EN 2-5  with free-swing arm assembly, without slide channel, for GSR co-ordinator fixed to active leaf ■ 53380201	<b>TS 93 B</b> door closer body Size EN 2-5  for GSR door co-ordinator fixed to inactive leaf ■ 43020001	Cushioned limit stay  35800093
■ 542903xx				#
	■ 543001xx			#
			1x ■ 1x ■	
			1x ■ 1x ■	
			1x ■ 1x ■	
#	#	# <sup>1)</sup>		
#	#		#	
#	#		#	

■ = Closer body complete with slide channel assembly

■ = Closer body separate

□ = Slide channel separate

# = Accessory

**Colour**

Silver 01  
 White (sim. to RAL 9016) 11  
 Special colour 09  
 Stainless steel "Design" 04

**xx**

<sup>1)</sup>Not necessary in the case of the G-SR-EMR1

TS 99 FLR only available in 01 and 04

"Design" relates to the surface finish of the product

**DORMA TS 99 FL, Size EN 2-5**

Slide channel door closer compliant with EN 1154, with CE mark, in the Contur design, for door widths up to 1250 mm, with electro-hydraulic hold-open, compliant with EN 1155, with free-swing action from a door opening angle of >0°. Closing speed and latching

action adjustable.  
Non-handed.  
Operating voltage 24V DC.  
Approved by the German Institute for Building Technology, Berlin, for use in a hold-open system.  
Acceptance inspection mandatory in Germany.  
In transom-mounted

arrangement, a certificate of compliance in conjunction with the relevant fire and smoke check door is mandatory.

**Model**

- Leaf-fixed/pull side
- Transom-fixed/pull side

**Colour**

- Silver
- White (sim. to RAL 9106)
- Stainless steel "Design"
- Special colour (sim. to RAL \_\_\_\_)

**Make**

DORMA TS 99 FL  
EN 2-5

**DORMA TS 99 FLR, Size EN 2-5**

Slide channel door closer compliant with EN 1154, with CE mark, in the Contur design, for door widths up to 1250 mm, with electro-hydraulic hold-open, compliant with EN 1155, with free-swing action from a door opening angle of >0°. Closing speed and latching

action adjustable.  
Non-handed.  
Additional connections available for further detectors, external manual release device and floating (no-volt) alarm contact.  
Power supply 230V AC.  
Operating voltage 24V DC.  
Approved by the German

Institute for Building Technology, Berlin, for use as a hold-open system.  
Acceptance inspection mandatory in Germany.  
Approval certification with the relevant fire and smoke check door mandatory.

**Model**

- Transom-fixed/pull side

**Colour**

- Silver
- Stainless steel "Design"

**Make**

DORMA TS 99 FLR  
EN 2-5

**DORMA TS 99 FLR-K, Size EN 2-5**

Slide channel door closer compliant with EN 1154, with CE mark, in the Contur design, for door widths up to 1250 mm, with electro-hydraulic hold-open, compliant with EN 1155, with free-swing action from a door opening angle of >0°. Closing speed and latching action adjustable.

Non-handed.  
Slide channel with integral power pack and smoke detector, with standby and maintenance due indicators.  
Overall height 30 mm.  
Additional connections available for further detectors, external manual release device and floating (no-volt) alarm contact.  
Power supply 230V AC.

Operating voltage 24V DC.  
Approved by the German Institute for Building Technology, Berlin, for use as a hold-open system.  
Acceptance inspection mandatory in Germany.

**Model**

- Leaf-fixed/pull side

**Colour**

- Silver
- White (sim. to RAL 9106)
- Stainless steel "Design"
- Special colour (sim. to RAL \_\_\_\_)

**Make**

DORMA TS 99 FLR-K  
EN 2-5

**DORMA RMZ**

Smoke detector in the Contur design, with standby and maintenance due indicators, integral power pack and optical smoke sensor for transom/lintel fixing. For release activation of DORMA hold-open devices. A floating (no-volt) alarm contact and connections for further detectors and external

manual release devices are provided.  
Can be switched to manual reset. One-piece cover.  
Overall height 30 mm.  
General building approval granted by DIBt, Berlin, for use in a hold-open system.  
Acceptance inspection of the system is mandatory in Germany.

**Model**

- RMZ with integrated power pack. Power supply 230V AC, operating voltage 24V DC
- RMZ DCW. Smoke detector without power pack for connection to DCW bus.
- Optional integral alarm module adding an audible signal to the visual indicator.

**Colour**

- Silver
- White (sim. to RAL 9106)
- Stainless steel "Design"
- Special colour (sim. to RAL \_\_\_\_)

**Make**

DORMA RMZ  
DORMA RMZ DCW

**DORMA RM-N**

Optical smoke detector, 24V DC, for ceiling fixing. For use as second and third triggering detector on all DORMA hold-open systems. With floating (no-volt) change-over contact.

General building approval granted by DIBt, Berlin and the VdS, Cologne; compliant to EN 54, Part 7.  
Acceptance inspection mandatory in Germany.

**Colour**

- White (sim. to RAL 9106)

**Make**

DORMA RM-N

### DORMA TS 99 FL EN 2-5 GSR

Slide channel door closer on the active leaf, compliant with EN 1154, with CE mark, in the Contur design, for door widths up to 1250 mm, with electro-hydraulic hold-open complaint with EN 1155, and with a free-swing function from a door opening angle of  $>0^\circ$ . Closing speed and latching action adjustable. Non-handed. Operating voltage 24V DC.

Slide channel with integral mechanical door coordinator, compliant with EN 1158. This system operates independently of the door closer hydraulics using a push rod clamping system with a protective overload release and one-piece cover. Overall height 30 mm. Non-handed. Cam-action door closer on the inactive leaf: TS 93 EN 2-5.

Approved by the German Institute for Building Technology, Berlin, for use in a hold-open system. Acceptance inspection mandatory in Germany.

#### Model

- Leaf-fixed/pull side (TS 99 FL on active leaf, TS 93 on inactive leaf)

#### Colour

- Silver
- White (sim. to RAL 9106)
- Stainless steel "Design"
- Special colour (sim. to RAL \_\_\_\_)

#### Make

DORMA TS 99 FL GSR

### DORMA TS 99 FL EN 2-5 GSR-EMF 1

Slide channel door closer on the active leaf, compliant with EN 1154, with CE mark, in the Contur design, for door widths up to 1250 mm, with electro-hydraulic hold-open complaint with EN 1155, and with a free-swing function from a door opening angle of  $>0^\circ$ . Closing speed and latching action adjustable. Non-handed. Operating voltage 24V DC.

Slide channel with integral mechanical door coordinator, compliant with EN 1158. Electro-mechanical hold-open, 24V DC, compliant with EN 1155. Hold-open point  $80^\circ$ - $130^\circ$  and pull-off force adjustable. This system operates independently of the door closer hydraulics using a push rod clamping system with a protective overload release and one-piece cover. Overall height 30 mm. Non-handed. Cam-action door closer on the inactive leaf: TS 93 EN 2-5.

Approved by the German Institute for Building Technology, Berlin, for use in a hold-open system. Acceptance inspection mandatory in Germany.

#### Model

- Leaf-fixed/pull side (TS 99 FL on active leaf, TS 93 on inactive leaf)

#### Colour

- Silver
- White (sim. to RAL 9106)
- Stainless steel "Design"
- Special colour (sim. to RAL \_\_\_\_)

#### Make

DORMA TS 99 FL GSR-EMF 1

### DORMA TS 99 FL EN 2-5 GSR-EMR 1

Slide channel door closer on the active leaf, compliant with EN 1154, with CE mark, in the Contur design, for door widths up to 1250 mm, with electro-hydraulic hold-open complaint with EN 1155, and with a free-swing function from a door opening angle of  $>0^\circ$ . Closing speed and latching action adjustable. Non-handed. Operating voltage 24V DC. Smoke detector with standby and maintenance due indicators fully integrated in the housing of the door coordinator.

Additional connections available for further detectors, external manual release device and floating (no-volt) alarm contact. Power supply 230V AC. Operating voltage 24V DC. Slide channel with integral mechanical door coordinator, compliant with EN 1158. Electro-mechanical hold-open, 24V DC, compliant with EN 1155. Hold-open point  $80^\circ$ - $130^\circ$  and pull-off force adjustable. This system operates independently of the door closer hydraulics using a push rod clamping system with a

protective overload release and one-piece cover. Overall height 30 mm. Non-handed. Cam-action door closer on the inactive leaf: TS 93 EN 2-5. Approved by the German Institute for Building Technology, Berlin, for use as a hold-open system. Acceptance inspection mandatory in Germany.

#### Model

- Leaf-fixed/pull side (TS 99 FL on active leaf, TS 93 on inactive leaf)

#### Colour

- Silver
- White (sim. to RAL 9106)
- Stainless steel "Design"
- Special colour (sim. to RAL \_\_\_\_)

#### Make

DORMA TS 99 FL GSR-EMR 1



**Door Control**



**Automatic**



**Glass fittings and Accessories**



**Security Time and Access (STA)**



**Movable Walls**

**Door Control Division worldwide**

**Central Europe**

DORMA GmbH + Co. KG  
DORMA Platz 1  
D-58256 Ennepetal  
Phone +49 2333 793-0  
Fax +49 2333 793-495

**Australasia**

DORMA Door Controls Pty. Ltd.  
52, Abbott Road  
Hallam/Victoria 3803  
Australia  
Phone +61 3 8795 0666  
Fax +61 3 8795 0280

**China/Hong Kong**

DORMA Door Controls  
(Suzhou) Co. Ltd.  
No. 9, Hong Feng Road  
Suzhou Singapore Industrial Park  
Suzhou, 215021  
P.R. of China  
Phone +86 512 67612481  
Fax +86 512 67614582

**Emerging Markets**

DORMA Door Controls Pte. Ltd.  
Room 701, Technology Plaza  
651 King's Road  
North Point  
Hong Kong  
Phone +852 25034632  
Fax +852 28875370

**France**

DORMA France S.A.S.  
Zone Europarc  
Immeuble Mega 42  
42, Rue Eugène Dupuis  
F-94046 Créteil Cedex  
Phone +33 1 41942400  
Fax +33 1 41942401

**Far East**

DORMA Far East Pte. Ltd.  
No. 31 Gul Lane  
Singapore 629425  
Phone +65 6268 7633  
Fax +65 6265 7995

**France**

DORMA France S.A.S.  
Zone Europarc  
Immeuble Mega 42  
42, Rue Eugène Dupuis  
F-94046 Créteil Cedex  
Phone +33 1 41942400  
Fax +33 1 41942401

**France**

DORMA France S.A.S.  
Zone Europarc  
Immeuble Mega 42  
42, Rue Eugène Dupuis  
F-94046 Créteil Cedex  
Phone +33 1 41942400  
Fax +33 1 41942401

**Gulf**

DORMA Gulf Door Controls FZE  
Jebel Ali Free Zone South  
Plot No. S 20135  
Road No. SW 301 G  
P.O. Box 17268  
Dubai – United Arab Emirates  
Phone +971 4 8020400  
Fax +971 4 8869100/8869101

**North America**

DORMA Architectural Hardware  
DORMA Drive, Drawer AC  
Reamstown, PA 17567-0411  
Phone +1 800 5238483  
Fax +1 800 2749724

**Scanbalt**

DORMA Danmark A/S  
Sindalvej 6-8  
DK-2610 Rødovre  
Phone +45 44 543000  
Fax +45 44 543001

**South America**

DORMA Sistemas de Controles  
para Portas Ltda.  
Av. Piracema, 1400  
Centro Empresarial Tambore  
CEP 06400-933 Barueri/  
São Paulo, Brasil  
Phone +55 11 46899280  
Fax +55 11 46899215

**South-East Europe**

DORMA AUSTRIA GmbH  
Pebering Strass 22  
A-5301 Eugendorf  
Phone +43 6225 284880  
Fax +43 6225 28491

**South Europe**

DORMA Italiana S.r.l.  
Via. Canova 44/46  
I-20035 Lissone (MI)  
Phone +39 039 244031  
Fax +39 039 24403310

**DORMA Ibérica, S.A.**

Camino San Martin de la Vega, 4  
E-28500 Arganda del Rey  
(Madrid)  
Phone +34 91 8757850  
Fax +34 91 8757881

**UK/Ireland**

DORMA UK Ltd.  
Wilbury Way  
Hitchin  
GB-Hertfordshire SG4 0AB  
Great Britain  
Phone +44 1462 477600  
Fax +44 1462 477601